



General Information



The Danfoss RX-C Roof Clips are suitable for use with the RX-C Self Regulating Cables. The clips are designed to secure the cables to asphalt shingles, metal seam roofs, and gutters.

Materials Required:

- RX-C Roof Clip Glue (or other recommended adhesive)
- pliers
- caulking gun

Recommended Adhesives:

See roofing supply distributors for recommendations.

Ordering Information

Part No.	Description	Qty
088L3001	RX-C Roof Clips	50 per bag

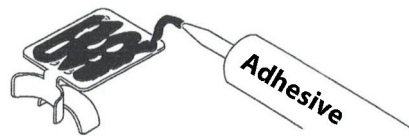
Accessories:

Part No.	Description	Qty
Roof Clip Glue	RX-C Roof Clip Adhesive	10.3 fl. oz. cartridge

Instructions

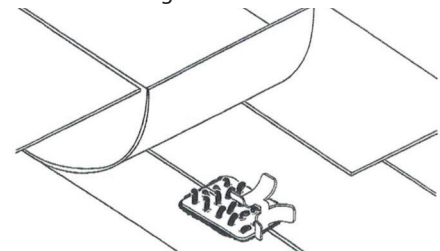
1. Apply Adhesive:

- Apply 0.2 oz. of adhesive to back of clip.
- **(Please note required application temperatures when applying glue.)**



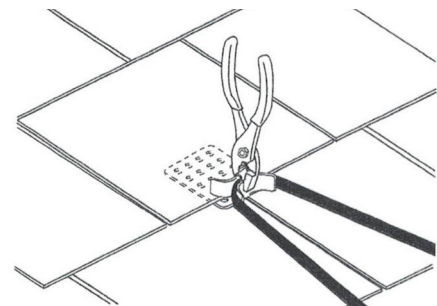
2. Press Clip to Roof Surface:

- Lift shingle & orient clip.
- Press down (ensure adhesive flows through holes).
- Do not trim back adhesive beads.
- Press shingle down.

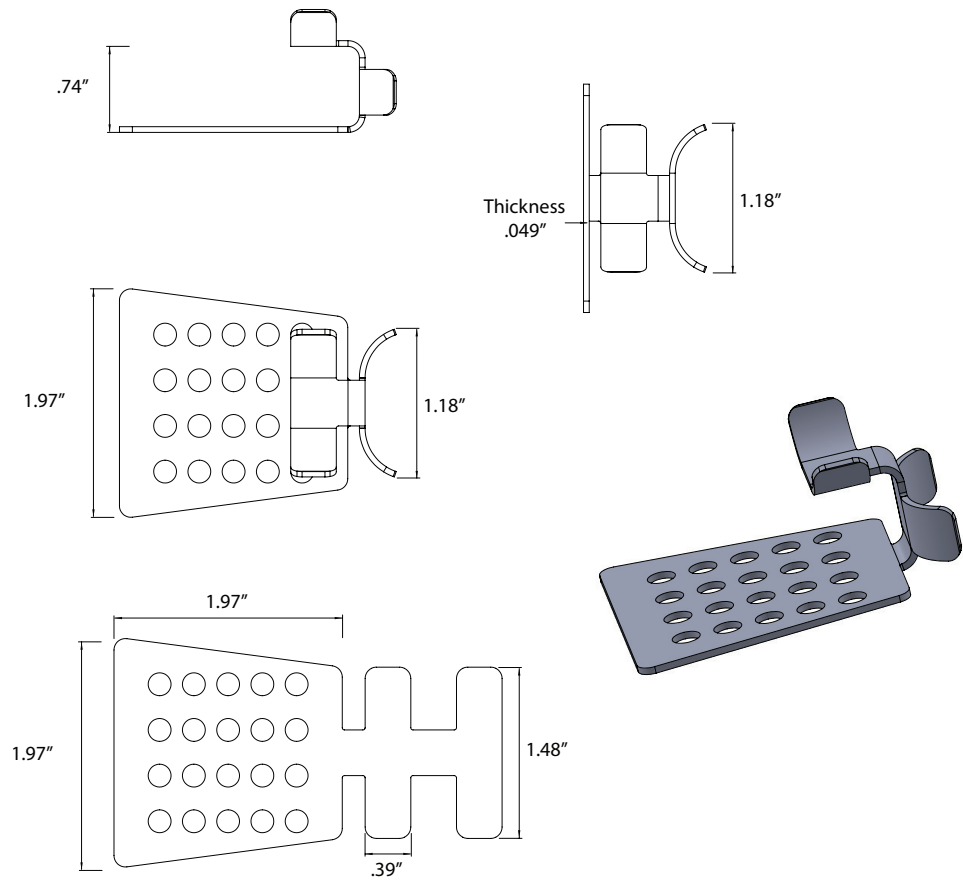


3. Install Cables/Close Clamps

- **Allow proper cure time (typically 24 hours- refer to adhesive.)**
- Install RX-C de-icing cable.
- Use pliers to close clamps (ensuring not to damage cable).



Dimensions



Notes

- Shingles must be clean and dry
- Note adhesive application temperature limits
- Allow proper cure time for adhesive (typically 24 hours)
- Not recommended for rubber/membrane roof
- Do not use screw/nail with clip
- Consult roofing supplier for recommended adhesives



Warning

- Roof clips must be installed properly to ensure proper operation and to prevent the risk of electrical hazard or fire. Follow all design, installation, assembly, and test instructions carefully.
- Arcing may not be stopped by conventional circuit protection.
- Do not use clip for installation on slate or tile roofs as damage may occur to roof material. Consult roofing manufacturer for components approved for use on specific roof material.
- De-energize all power circuits before installation or servicing.
- Keep ends of heating devices and kit components dry before and during installation.
- While using pliers to close clamps on heating cable, heating cable should not be crushed or altered structurally in any way.
- The cable should not be twisted during installation.
- Heating cable should not be embedded in the thermal insulation.

Technical Services

For technical questions, please contact Danfoss Heating Division North America at **1-866-676-8062**. More information on Danfoss Electric Heating products is available at **www.LX.Danfoss.com**.

Danfoss can accept no responsibility for possible errors in catalogs, brochures, other printed materials, and website information. Danfoss reserves the right to alter its products without notice. This also applies to products already on order provided that such alteration can be made without subsequent changes being necessary in specifications already agreed upon. All trademarks in this material are property of the respective companies. Danfoss and Danfoss logotype are trademarks of Danfoss A/S. All rights reserved.



**Danfoss
Toronto**
Toll Free: 1-866-676-8062
Tel.: 905-285-2050
Fax: 416-352-5981
www.LX.Danfoss.com

Danfoss *RX-C*
BRINGING WARMTH TO LIFE